



COUPLING CORPORATION OF AMERICA

Vertical Clamp Coupling™

The most adjustable vertical coupling is also the easiest to install

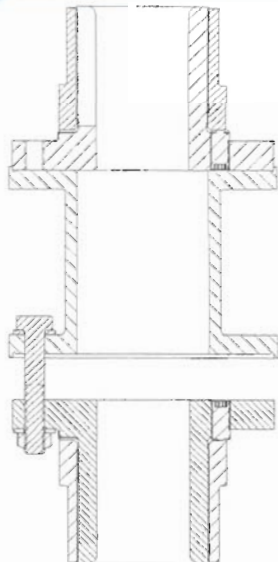


The **Vertical Clamp Coupling** is a major improvement over other standard vertical couplings. Using the patented Anderson Clamp Hub design, it eliminates all keys and 'clam shells' while giving the user the ability to easily change the position on the shaft as well as the amount of pump rotor lift.

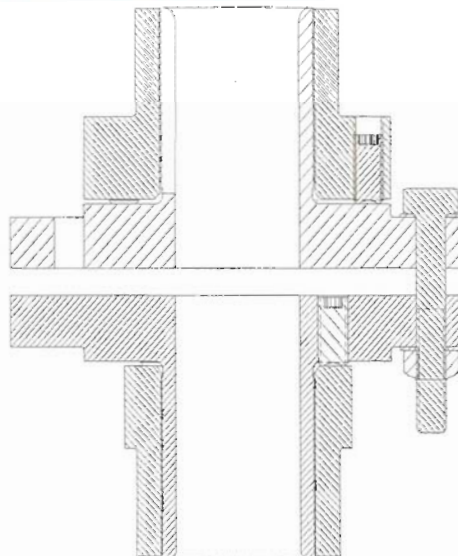
Ideal Applications

- Vertical pumps
- Line shafting
- Vertical turbines

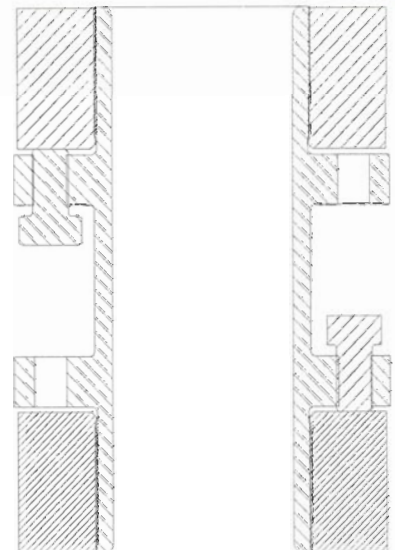
Different styles to fit your needs



Spacer style

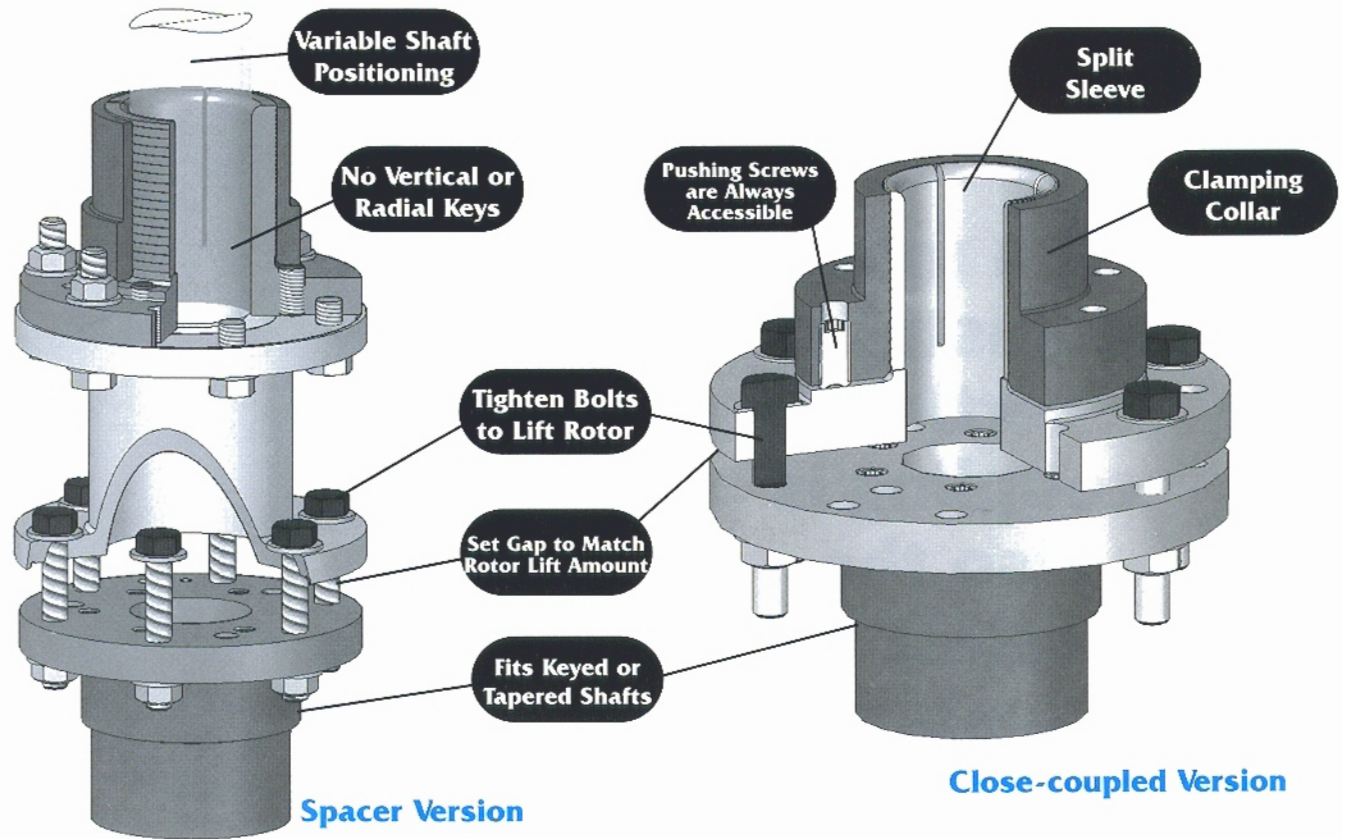


Close-coupled



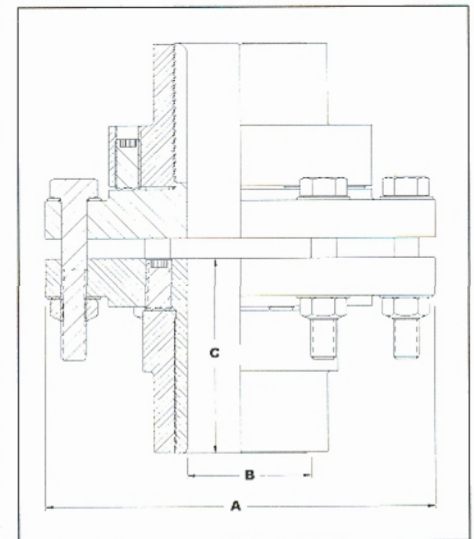
One piece

An Inside Look at the Vertical Clamp Coupling



Dimensions and Engineering Data

Size	Max Cont Torque (in-lb)	Peak Torque Capacity (in-lb)	Vertical Load Capacity (lb)	Total Weight (lbs)	WR ² (lb-in ²)	A OD (in)*	B Max Bore (in)	C Min. Shaft Length (in)*
100	4,260	10,650	19,500	5.8	9.8	4.213	1.375	2.50
125	7,280	18,200	25,100	9.8	25.6	5.072	1.875	2.75
162	17,800	44,500	50,600	22.8	100.2	6.711	2.187	3.75
200	34,200	85,500	78,900	34.4	196	7.788	2.625	4.50
250	62,400	156,000	117,200	65.6	540	9.325	3.250	5.38
312	124,500	311,250	179,500	88	996	10.647	4.312	5.50
400	263,500	658,750	308,800	220	4,006	14.277	5.250	8.63
500	670,800	1,677,000	640,400	502	14,304	18.003	6.500	11.88
630	832,800	2,082,000	900,000	960	20,000	To Suit	8	14.00
800	1,656,000	4,140,000	1,200,000	1,900	80,000	To Suit	12	16.00
1000	3,284,400	8,211,000	1,800,000	3,800	280,000	To Suit	16	18.00
1250	6,416,400	16,041,000	2,400,000	7,400	4,000,000	To Suit	20	20.00
1620	12,931,200	32,328,000	2,800,000	14,400	16,000,000	To Suit	24	22.00
2000	26,604,000	66,510,000	3,200,000	28,000	56,000,000	To Suit	28	24.00
2500	51,324,000	128,310,000	3,600,000	44,000	80,000,000	To Suit	32	26.00



*Hubs can be designed for shorter shafts and different A dimensions; consult CCA

Weight and inertia are given for maximum bore

Sizes larger than 500 are application specific, numbers listed are estimates

Values given are subject to change



COUPLING CORPORATION OF AMERICA

250 N Main St Jacobus PA 17407-1011 www.couplingcorp.com

800-394-3466 • 717-428-0570 • Fax 717-428-2865